

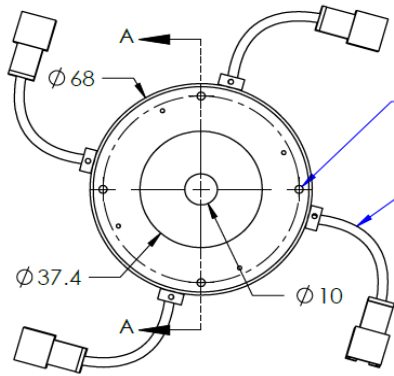
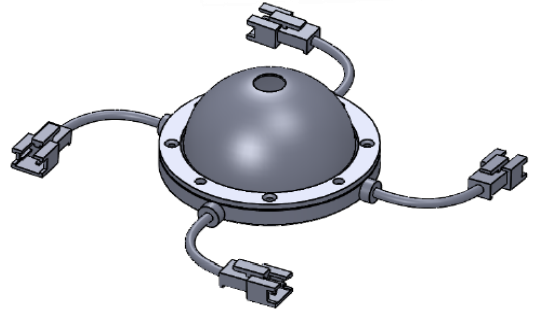
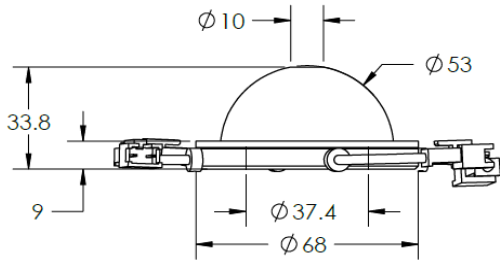


OPTO ENGINEERING

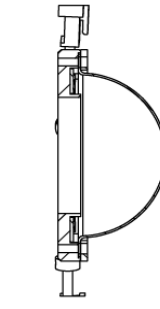
ILLUMINATOR DATA

LT5WRG050-00-1-G-24V-CH4

Lighting Dimension



PCD $\phi 60$
 4X ϕ TAP M3X0.5
 THRU ALL
 4X CONNECTOR
 50CM CABLE



SECTION A-A



Mechanical Information	
Casing Material	Aluminium
Storage Temperature Range	0 - 45°C
Storage Humidity Range	20 - 85%
Weight	89 g
Length / Outer Diameter	68 mm
Width / Inner Diameter	37.4mm
Thickness / Height	33.8 mm

ILLUMINATOR DATA

LT5WRG050-00-1-G-24V-CH4

Lighting Information																															
Part Number	LT5WRG050-00-1-G-24V-CH4																														
Channel	CH1	CH2			CH3			CH4																							
LED Color	GREEN																														
Wavelength	525 nm																														
Working Distance	20 mm	30 mm	50 mm	20 mm	30 mm	50 mm	20 mm	30 mm	50 mm	20 mm	30 mm	50 mm																			
Intensity (±15%)	*FOR FURTHER INFORMATION PLEASE CONTACT US																														
Illumination (number of row)	1																														
Illumination Active Area	Active Length / Outer Dia.			56.2 mm																											
	Active Width / Inner Dia.			39.4 mm																											
Emission angle	0																														
Eye Safety Class (IEC62471)	EXEMPT																														
Chromaticity Table	<table border="1"> <tr><td>X</td><td>0.296</td><td>0.287</td><td>0.307</td><td>0.311</td></tr> <tr><td>Y</td><td>0.276</td><td>0.295</td><td>0.315</td><td>0.294</td></tr> </table>					X	0.296	0.287	0.307	0.311	Y	0.276	0.295	0.315	0.294	<table border="1"> <tr><td>X</td><td>0.311</td><td>0.307</td><td>0.33</td><td>0.33</td></tr> <tr><td>Y</td><td>0.294</td><td>0.315</td><td>0.339</td><td>0.318</td></tr> </table>						X	0.311	0.307	0.33	0.33	Y	0.294	0.315	0.339	0.318
X	0.296	0.287	0.307	0.311																											
Y	0.276	0.295	0.315	0.294																											
X	0.311	0.307	0.33	0.33																											
Y	0.294	0.315	0.339	0.318																											
For White colour only																															

Electrical Information				
Rated Constant Voltage	24V±2%			
Rated Constant Current	280 mA	280 mA	280 mA	280 mA
Power Consumption	6.72 W	6.72 W	6.72 W	6.72 W
Casing temperature, After 60 minutes operation	54.4 °C			
Max. continous current of RED, GREEN & BLUE LEDs on at the same time	*It is not recommended to turn on Red, Green and Blue colour at the same time. Refer to Maximum Simultaneous Current Output section in the last page for maximum current that can be supplied for each colour. Failure in following this may results in damaging the lighting.			


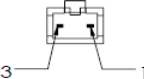
Strobe Mode Specification				
**Normal Strobe Voltage	24 V			
**Normal Strobe Current	280 mA	280 mA	280 mA	280 mA
Overdrive Voltage Range	Min: 36 V Max: 48 V	Min: 36 V Max: 48 V	Min: 36 V Max: 48 V	Min: 36 V Max: 48 V
Overdrive Current Range	Min: 640 mA Max: 1080 mA	Min: 640 mA Max: 1080 mA	Min: 640 mA Max: 1080 mA	Min: 640 mA Max: 1080 mA
Max. pulse current of RED, GREEN & BLUE LEDs on at the same time	*It is not recommended to turn on Red, Green and Blue colour at the same time. Refer to Maximum Simultaneous Current Output section in the last page for maximum current that can be supplied for each colour. Failure in following this may results in damaging the lighting.			
Recommended Overdrive Voltage	36 V			
***Max. Trigger Pulse Duration	10 msec			
***Max. Duty Cycle	10%			

**Normal strobe means the lighting is operated using the rated power. Overdrive means the power supplied to the lighting exceeded the rated power.

***Overdrive condition must not exceed the max. trigger pulse duration and max. duty cycle. Failure in following this may results in damaging the lighting.

ILLUMINATOR DATA

LT5WRG050-00-1-G-24V-CH4

Connection Information			
Connector Type (Default)	JST SMR-03V		
Cable Length	50 cm		
Pin Configuration 	Pin	Signal	Cable Colour
	1	LED +	Red
	2	N.C	-
	3	LED -	White
			

Additional Information	
Additional Cooling Method	Attached to machine part for better heat dissipation
Intensity Controller Selection	SD, ST, ANG, LC, SDA, SDP series
CE Conformity	YES
RoHS Compliance	YES

Application	
Illumination Type	Indirect Illumination
Application Use	Cracks, Chips, Stains & Mark on Circular or Cylindrical Object Inspection, Solder and Substrate Inspection



ILLUMINATOR DATA

LT5WRG050-00-1-G-24V-CH4

Lighting Pattern																																											
Working Distance	For further details please contact us																																										
Display and Image																																											
Data Results	<table border="1"> <thead> <tr> <th>Horizontal</th> <th>Meas.(mm)</th> </tr> </thead> <tbody> <tr><td>90%</td><td></td></tr> <tr><td>80%</td><td></td></tr> <tr><td>70%</td><td></td></tr> <tr><td>60%</td><td></td></tr> <tr><td>50%</td><td></td></tr> <tr><td>40%</td><td></td></tr> <tr><td>30%</td><td></td></tr> <tr><td>20%</td><td></td></tr> <tr><td>10%</td><td></td></tr> </tbody> </table>	Horizontal	Meas.(mm)	90%		80%		70%		60%		50%		40%		30%		20%		10%		<table border="1"> <thead> <tr> <th>Vertical</th> <th>Meas.(mm)</th> </tr> </thead> <tbody> <tr><td>90%</td><td></td></tr> <tr><td>80%</td><td></td></tr> <tr><td>70%</td><td></td></tr> <tr><td>60%</td><td></td></tr> <tr><td>50%</td><td></td></tr> <tr><td>40%</td><td></td></tr> <tr><td>30%</td><td></td></tr> <tr><td>20%</td><td></td></tr> <tr><td>10%</td><td></td></tr> </tbody> </table>	Vertical	Meas.(mm)	90%		80%		70%		60%		50%		40%		30%		20%		10%		
Horizontal	Meas.(mm)																																										
90%																																											
80%																																											
70%																																											
60%																																											
50%																																											
40%																																											
30%																																											
20%																																											
10%																																											
Vertical	Meas.(mm)																																										
90%																																											
80%																																											
70%																																											
60%																																											
50%																																											
40%																																											
30%																																											
20%																																											
10%																																											